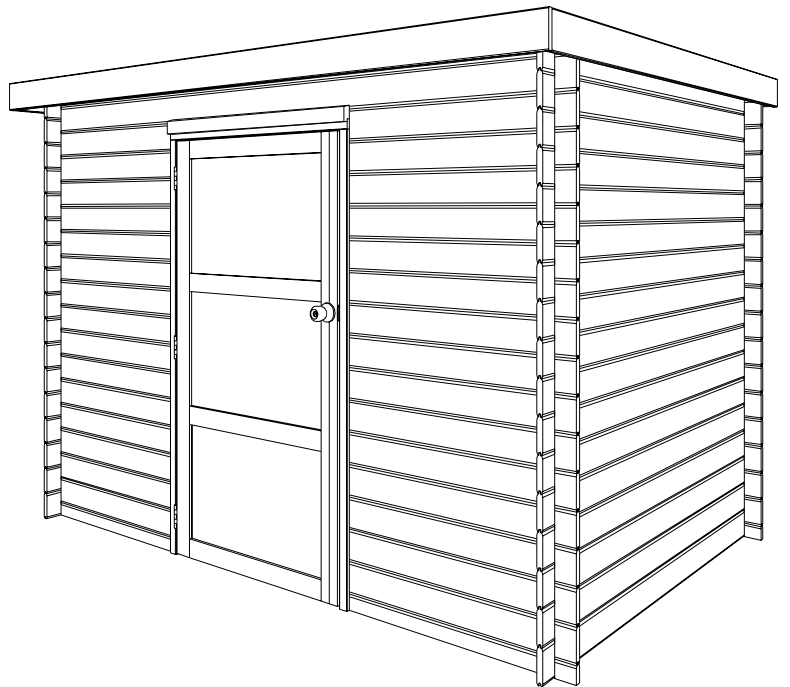


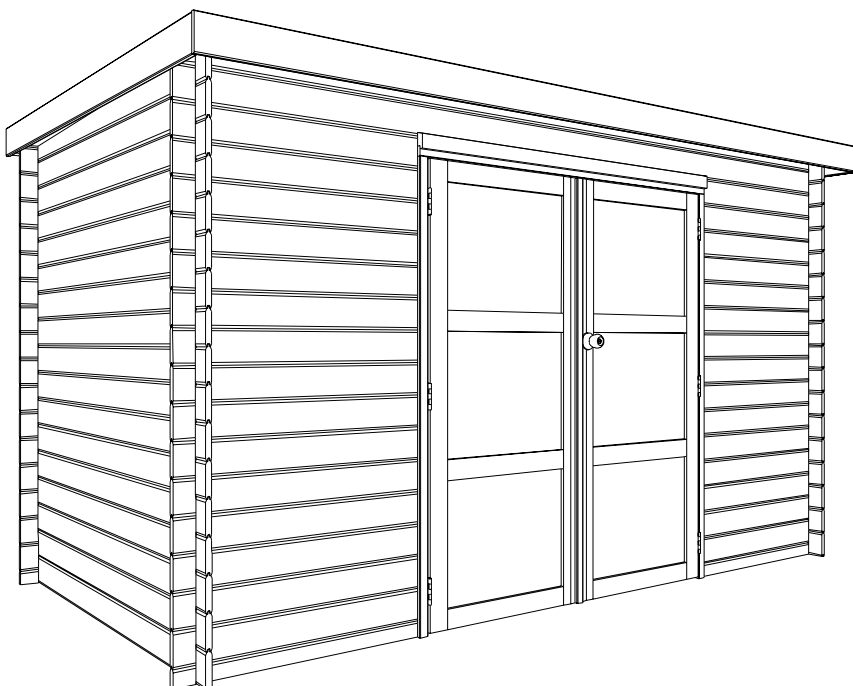
GENERAL ASSEMBLY INSTRUCTIONS FOR LOG CABINS WITH A FOIL ROOF

This brochure has been compiled for all our log cabins with foil roofs.
The drawings may differ from the log cabin you have purchased.



GARDENAS

TIMBER GARDEN CONSTRUCTIONS



GENERAL ASSEMBLY INSTRUCTIONS FOR LOG CABINS WITH FOIL ROOF

Congratulations on the purchase of your log cabin.

If you read the assembly instructions carefully, you will enjoy your purchase for many years to come.

IMPORTANT!

Before you start assembly, we would like to give you some important information that deserves your attention.

A1 TREATMENT Have you purchased a log cabin made from an untreated natural product? This type of wood still needs to be treated to ensure a long lifespan. It is best to seek guidance from a specialist in the field when choosing your treatment product and for the maintenance of your log cabin. Use only products that penetrate the wood and protect it against moisture, wind and weather, as well as against insects and fungi. Do not use products that are so viscous that they prevent a good fit between the tongue and groove and at the corner joints. You only have the opportunity to treat the tongue and groove **before** assembly. It is very important to **treat** all parts **on all sides**. You must therefore also treat **the inside of** the log cabin.

A2 TREATMENT Have you purchased a log cabin that has been pressure-impregnated? Gardenas wax impregnation significantly extends the lifespan of your product and provides **temporary** protection against moisture. After the first summer season, you will need to apply an extra protective layer of stain or other paint. This will prevent the wood from splitting and warping. It is best to seek advice from a specialist when choosing your treatment product and maintaining your log cabin. Use only products that penetrate the wood and protect it from moisture. Pressure impregnation itself protects the log cabin against rot, mould and insects. The treatment product therefore only needs to be water-repellent and suitable for outdoor use (= UV-resistant).

B FOUNDATION It is advisable to install a **waterproof** concrete base. It is of the utmost importance that your log cabin is level and remains so. Bear in mind that if your structure is not level properly after installation, this may result in cracks and deformations in the log cabin, amongst other issues. Ensure that ground moisture and other moisture cannot penetrate the wood by providing adequate ventilation for the log cabin and treating **the interior** against moisture. Seal the joint between the log cabin and its base with silicone (not supplied). Anchor all walls to the base (e.g. using L-brackets, not included) to protect against stormy weather.

C UNPACKING Unpack the parts for your log cabin from their packaging two days before assembly, but keep them sheltered from the rain. This allows the wood to acclimatise to the humidity. Now carry out a full check using the enclosed parts list. Complaints regarding materials will not be accepted if the parts have been painted. Complaints must reach us no later than 8 days after delivery.

D Wood is a natural product. This means that slight variations may occur. What are **acceptable** variations?

- Knots,
- Fallen knots no larger than a thumb,
- Fallen knots or slight damage to the edges (tongue and groove) provided that coverage is guaranteed during assembly
- Discolouration in the wood,
- Straight cracks that do not split the log, splitting cracks no longer than 12 cm,
- Resin pockets of up to 5 cm,
- Wood that is slightly bowed, if assembly remains possible.

E Ensure you **anchor** your storage unit to its base (e.g. L-bracket, not included).

F To prevent splitting, we recommend pre-drilling with a drill bit smaller than the diameter of the screw.

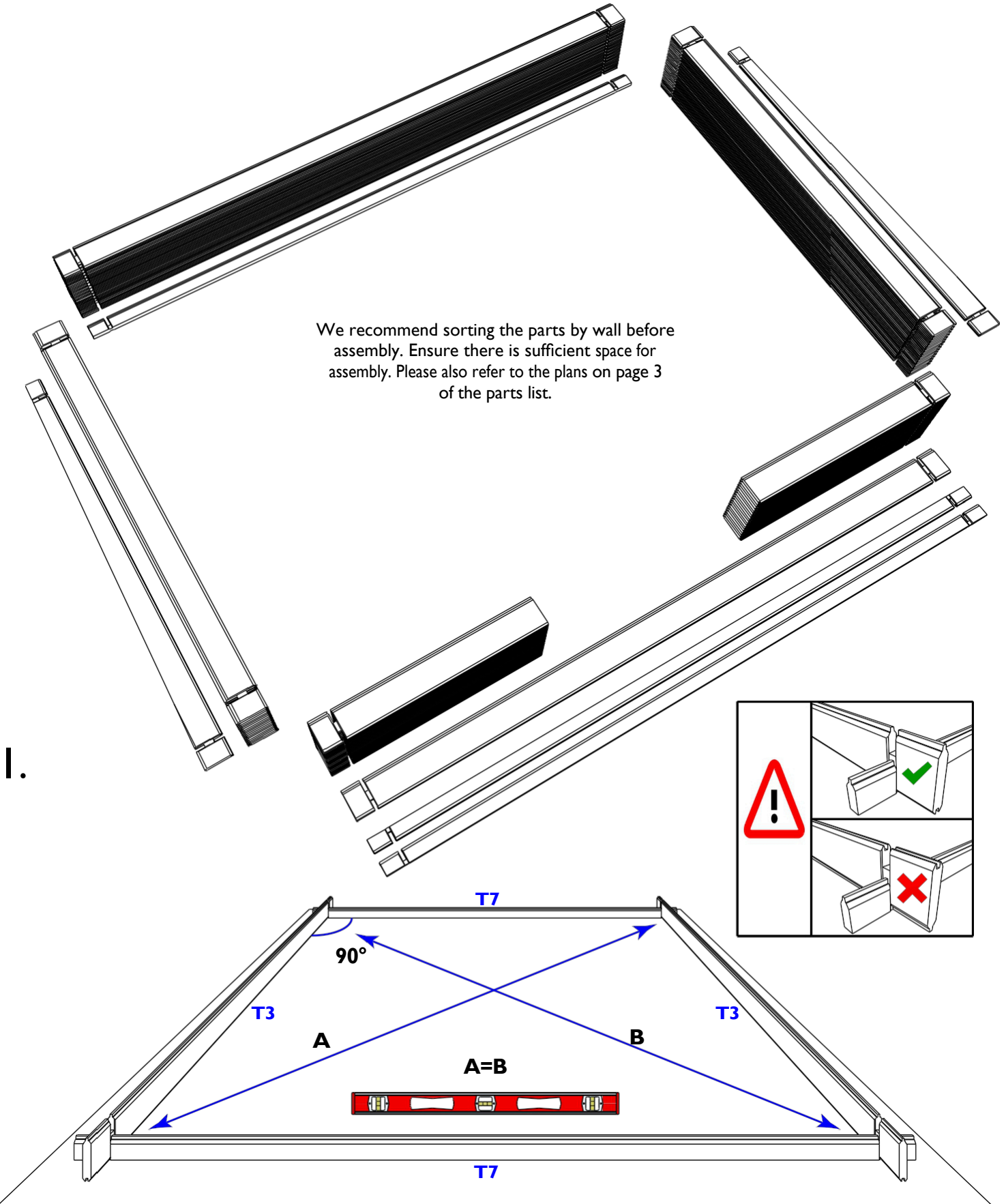
G Has a part been damaged during assembly, or are you having trouble figuring it out?

Our after-sales service is at your disposal:

- during office hours by telephone: +32 (0)52 21 95 71
- by fax: +32 (0)52 22 09 03 or
- by email sav@gardenas.be
- if you notice any damage to the parcel, please let us know within 48 hours.

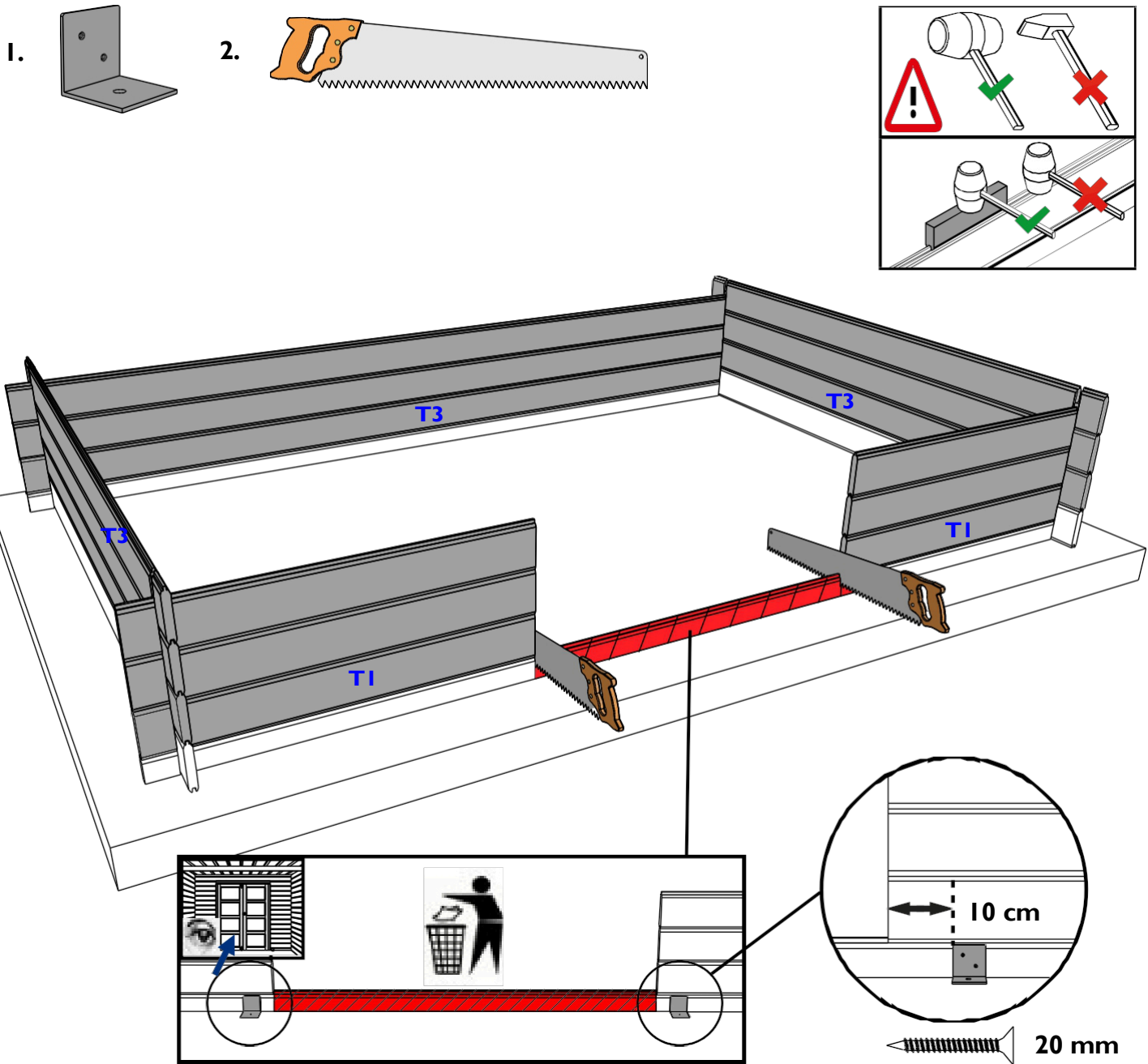
Once you have checked the package using the accompanying parts list, you can start assembly.
What do you need? A saw, a try-square, a piece of auxiliary wood, a spirit level, a screwdriver (preferably battery-powered or electric), 2 ladders, a rubber mallet, a drill, silicone. At least 2 adults are required for assembly.
Keep children and pets away during assembly.

We recommend sorting the parts by wall before assembly. Ensure there is sufficient space for assembly. Please also refer to the plans on page 3 of the parts list.

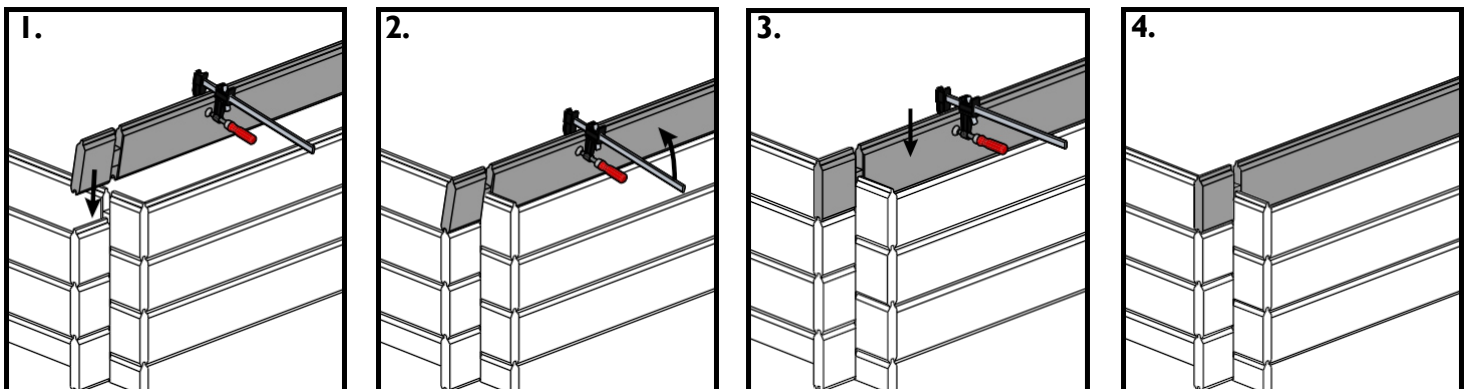


I.

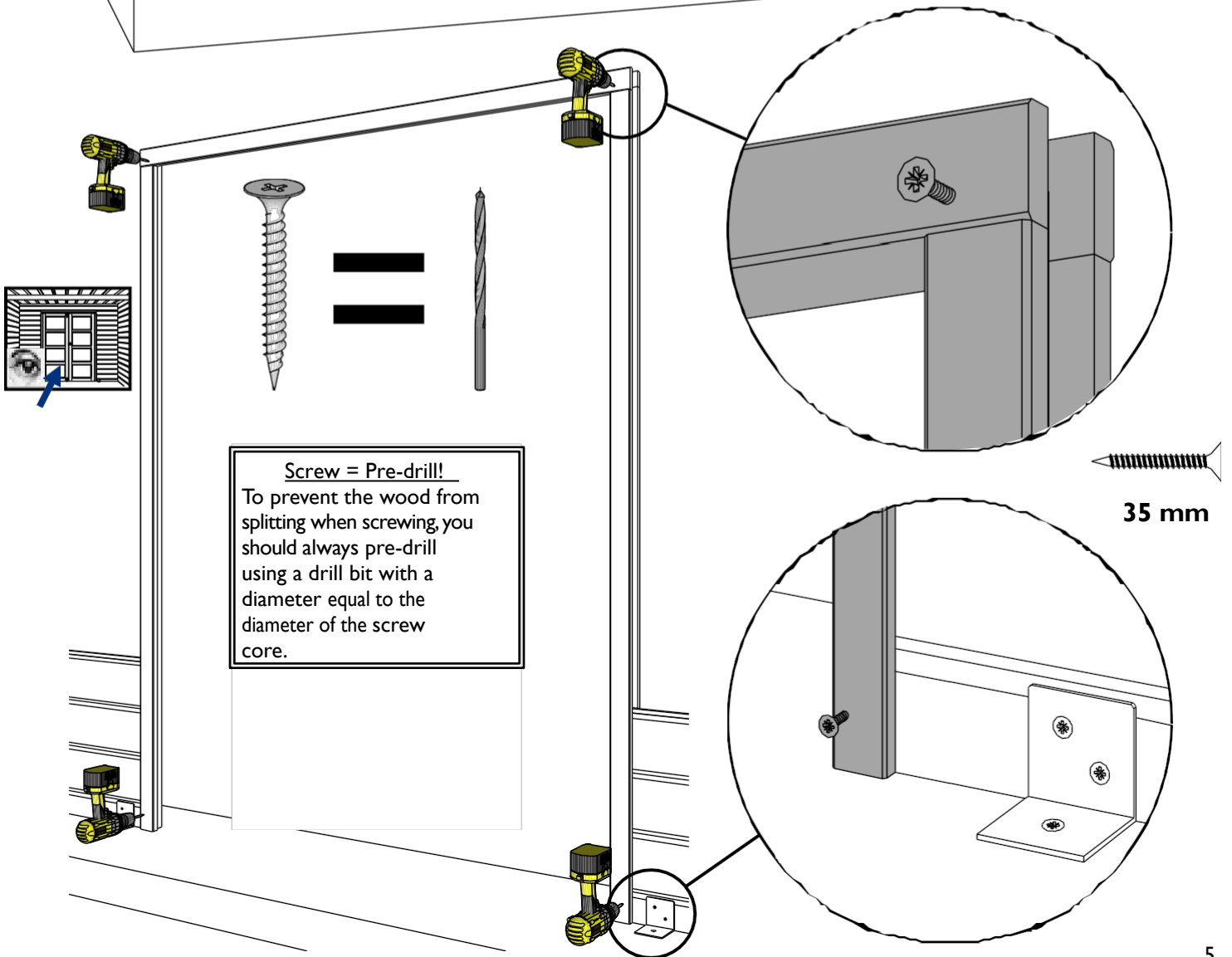
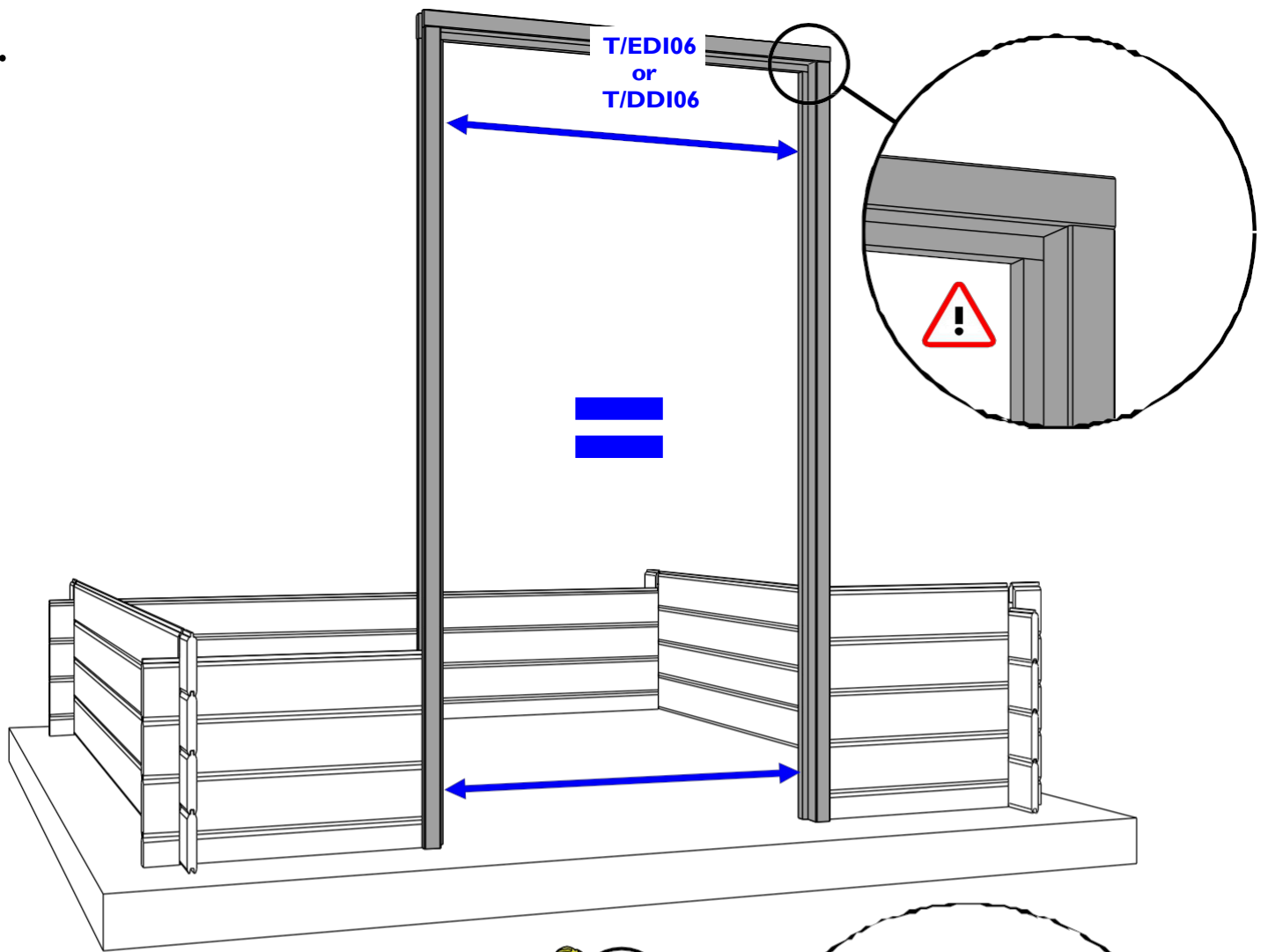
2. **Caution:** fit the **angle brackets** first, then **cut**. The piece you cut away is waste. **Never** fit this above the door! For the rest of the assembly, please also refer to the wall plans in the parts list. To ensure everything is square, you should anchor **each** bottom log to the base using angle brackets and concrete plugs (not included). You can also use the Gardenas storm bracing system, which is available from our distributors.



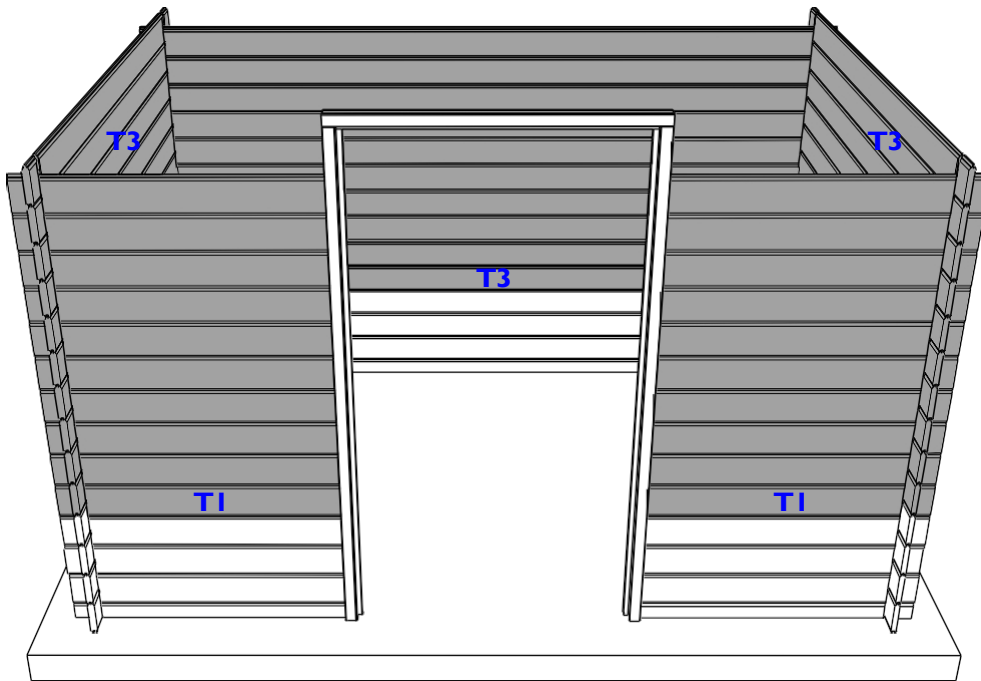
If a warped/crooked plank does not fit:



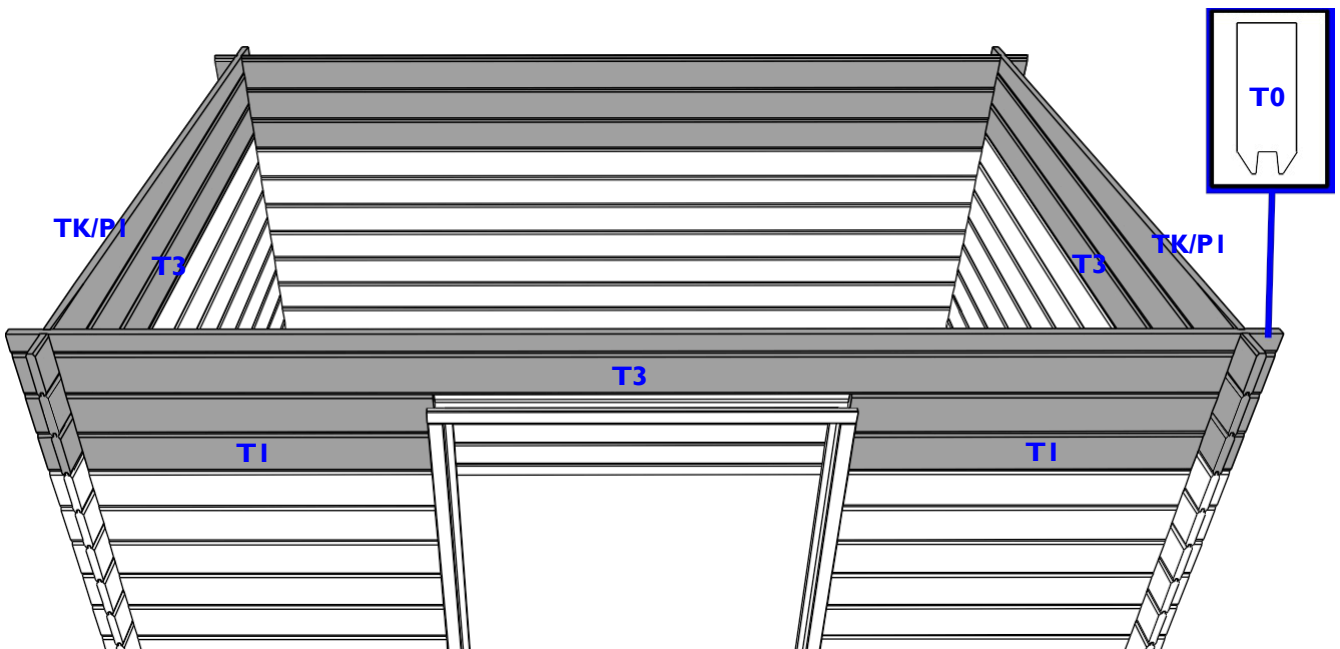
3.



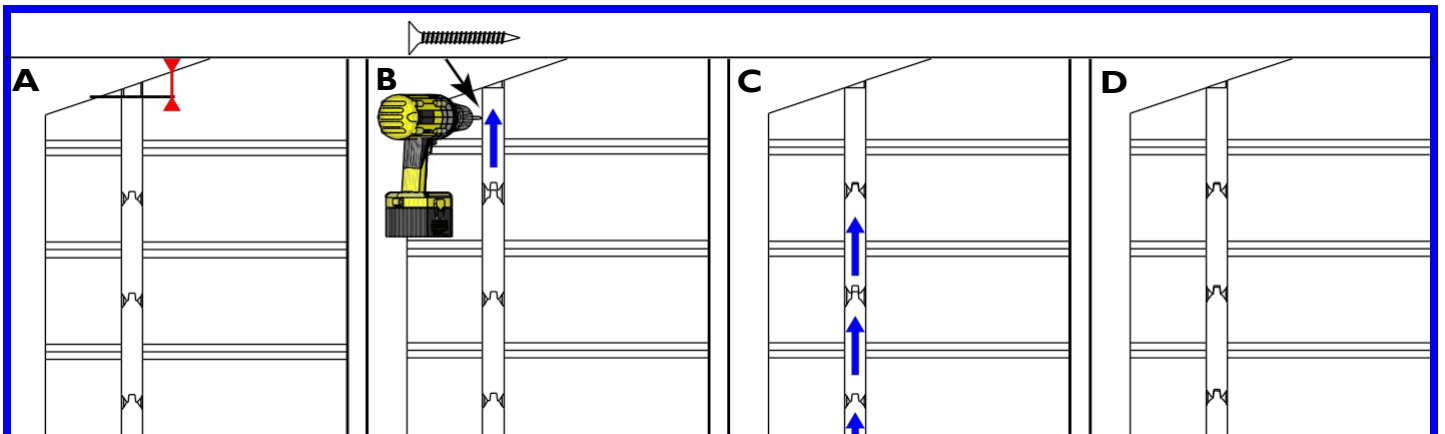
4.



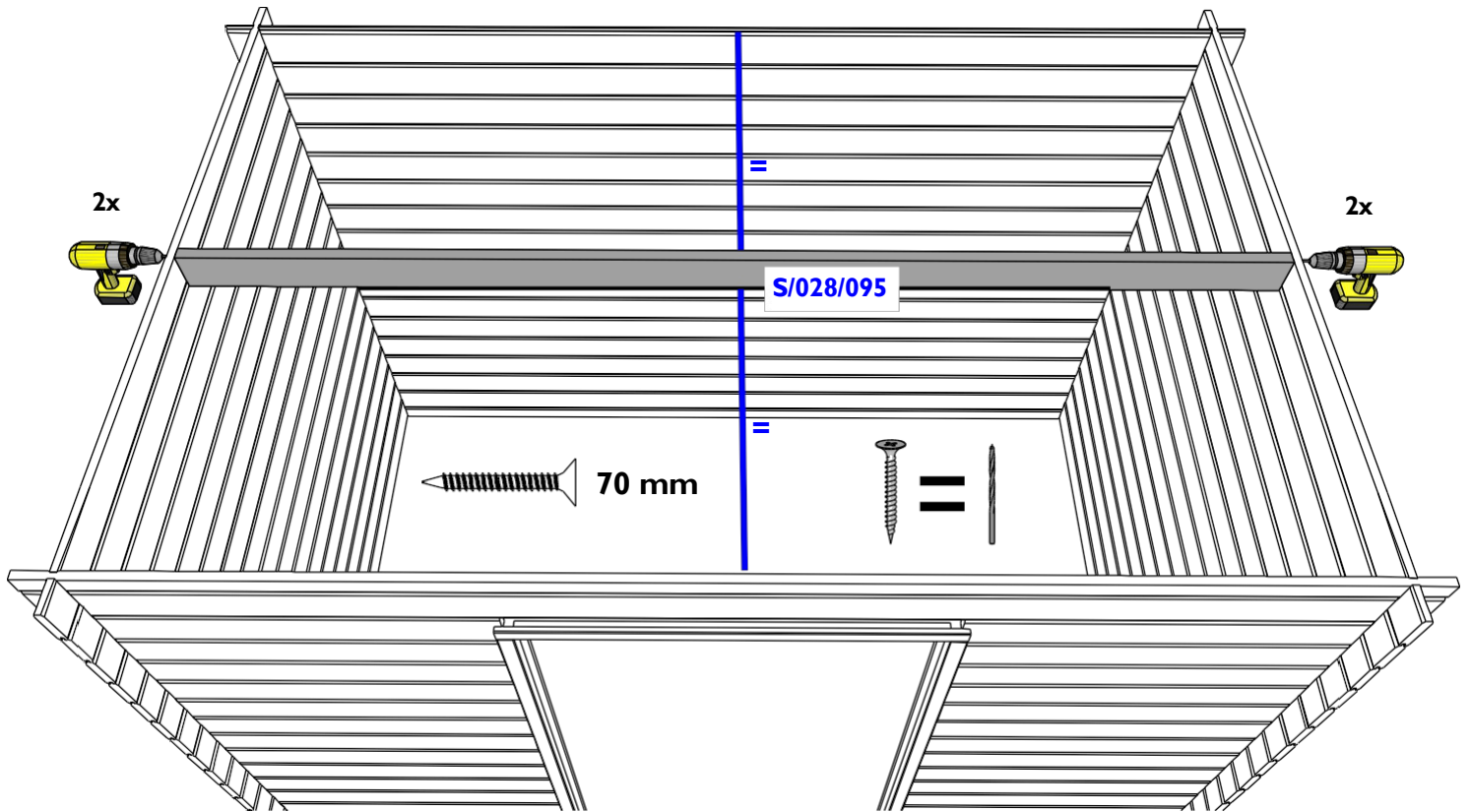
5.



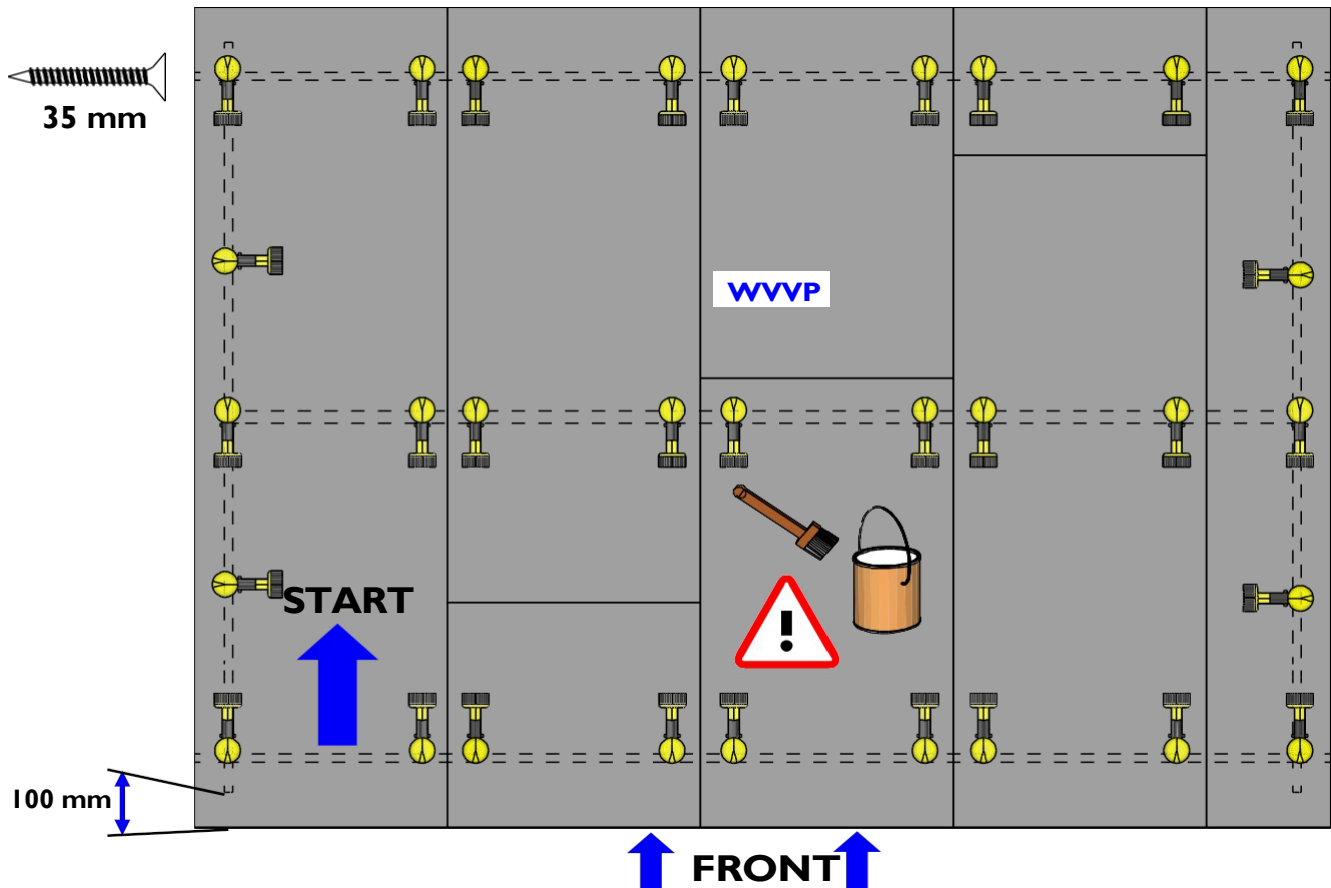
If there are height differences between the walls, check that the logs fit together properly. To compensate for a height difference (detail A), align the top log with the gable and screw them together (detail B). Now, gently tap the lower logs up one by one (detail C) to distribute the gap evenly across all the logs (detail D).



6. Distribute all the roof rafters S/0278/095 symmetrically across the depth of the log cabin! The number of rafters may vary depending on the model; see the parts list.



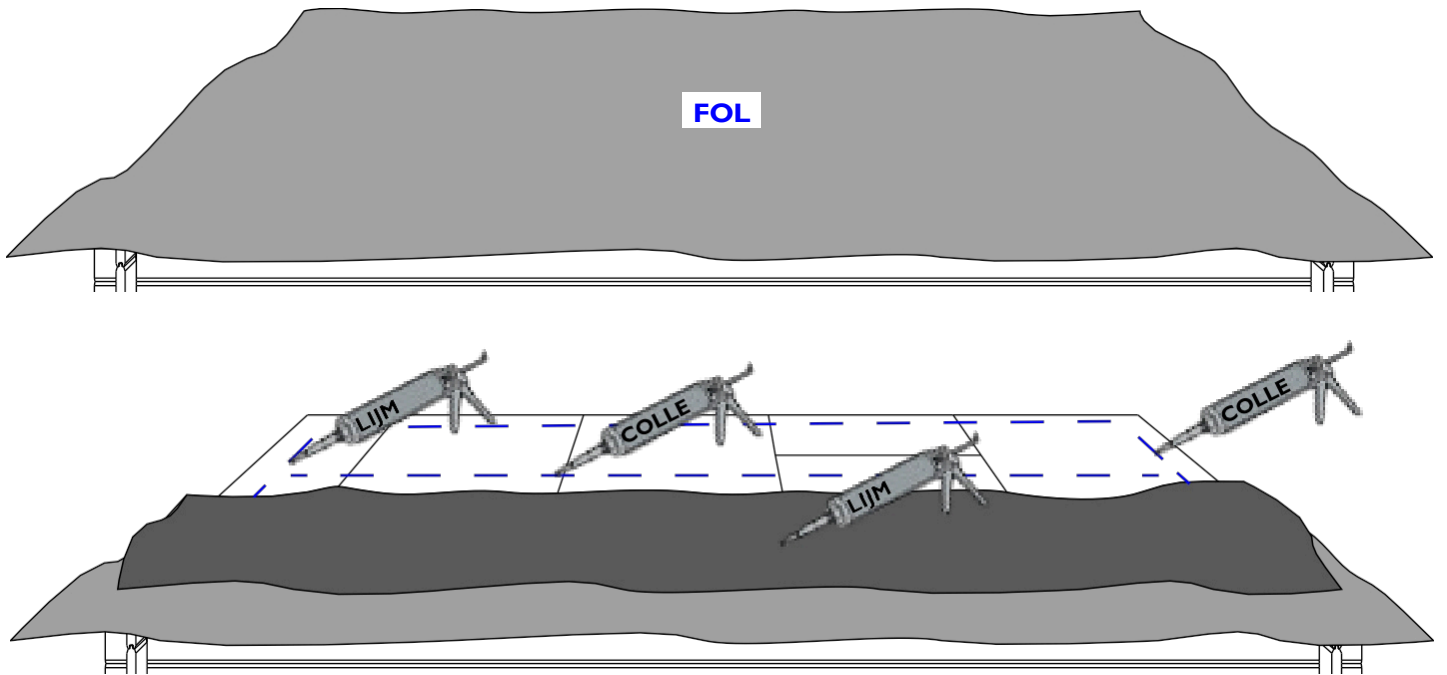
7. Refer to the plans in the parts list for the positioning of the sheets. Always start at the front left corner.



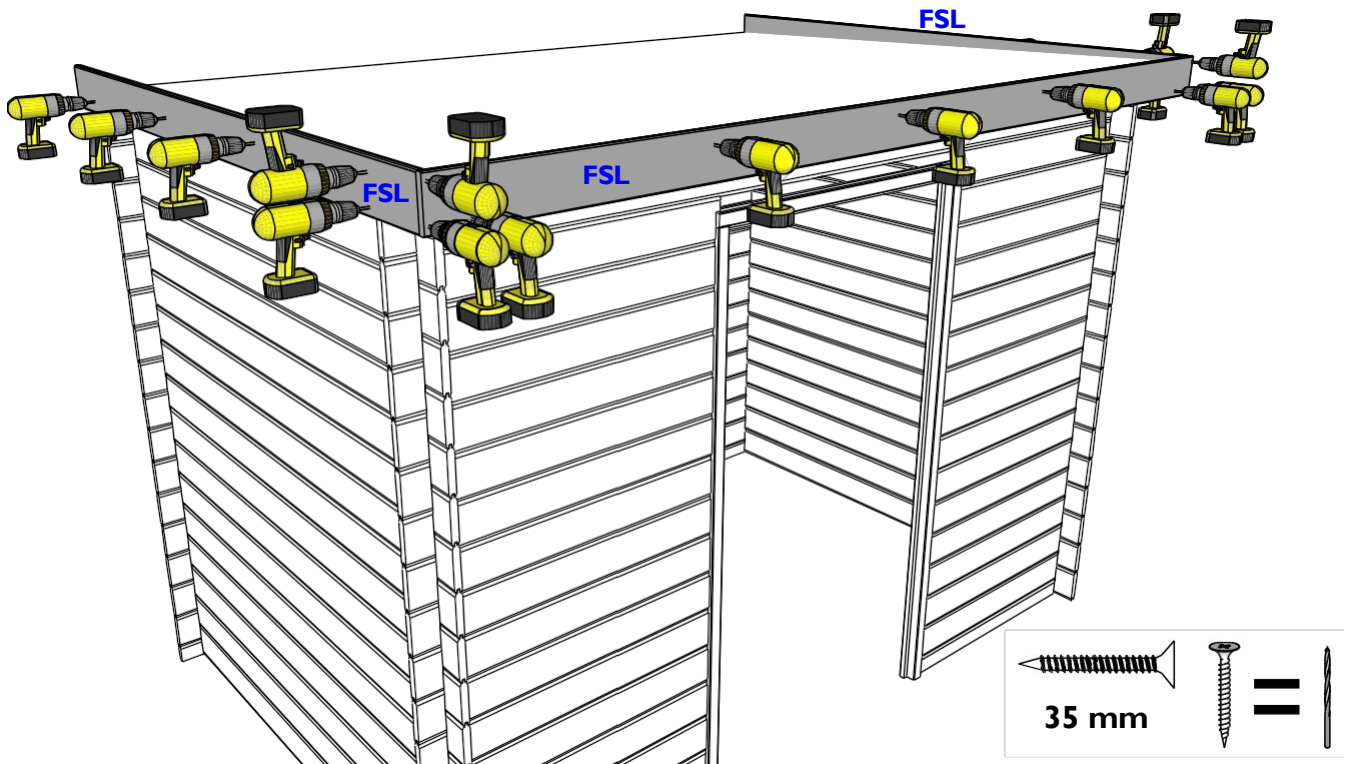
Treat the top and bottom of the roof sheets with a protective layer of wood stain or other paint; this ensures a significantly longer lifespan for your product and helps prevent mould.



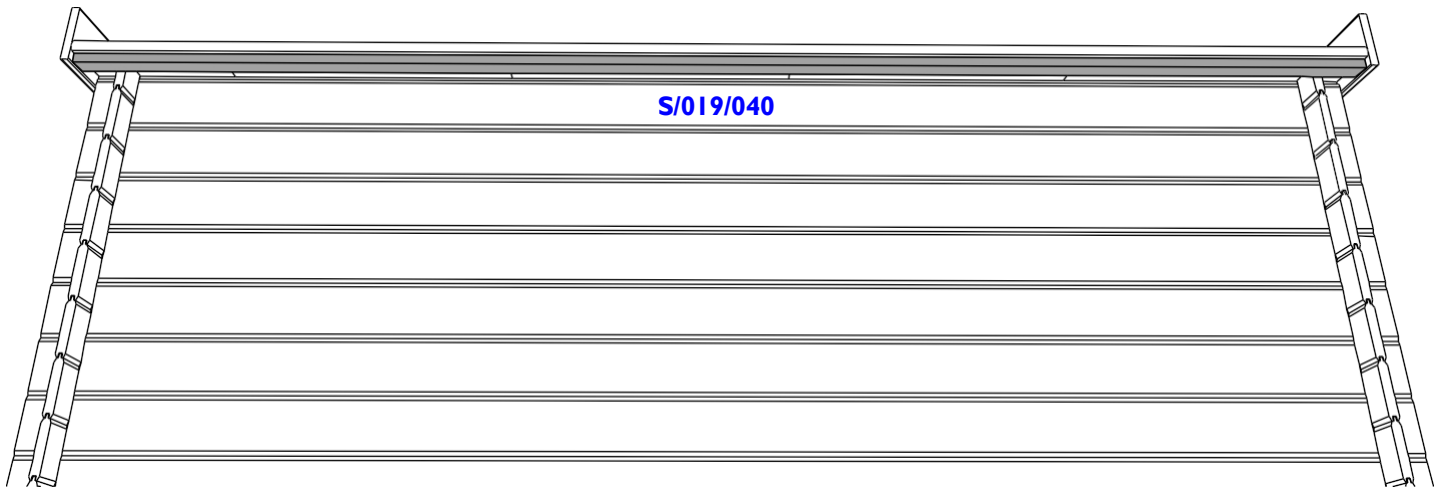
8. Cut the foil to size, ensuring there is a 5cm overlap on each side. Apply a line of universal adhesive (not included) at regular intervals and press everything down firmly.



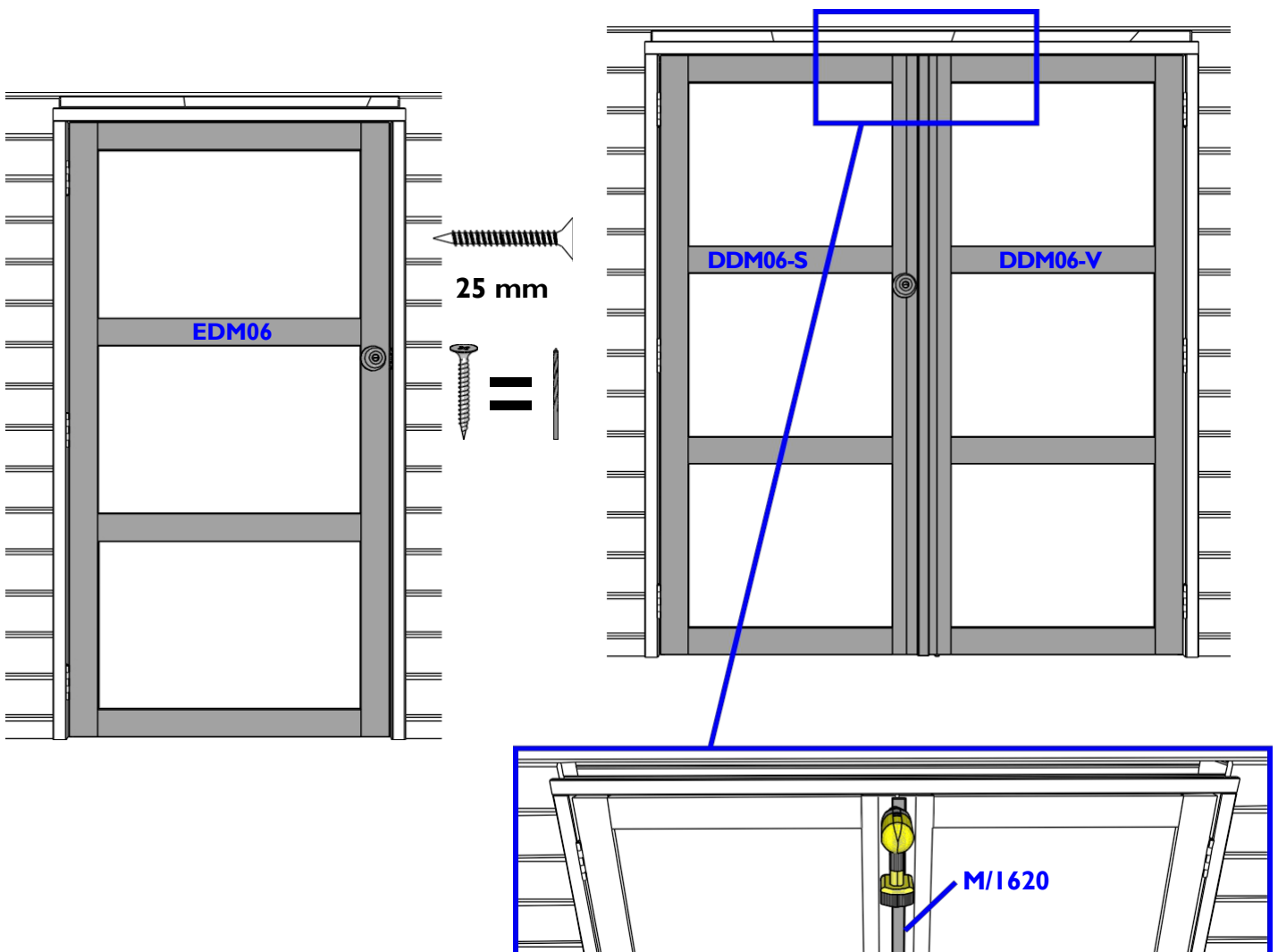
9. Now place the FSL decorative battens to the front and sides. Fold the foil down over the sheets so that it is secured between the decorative battens and the sheets.



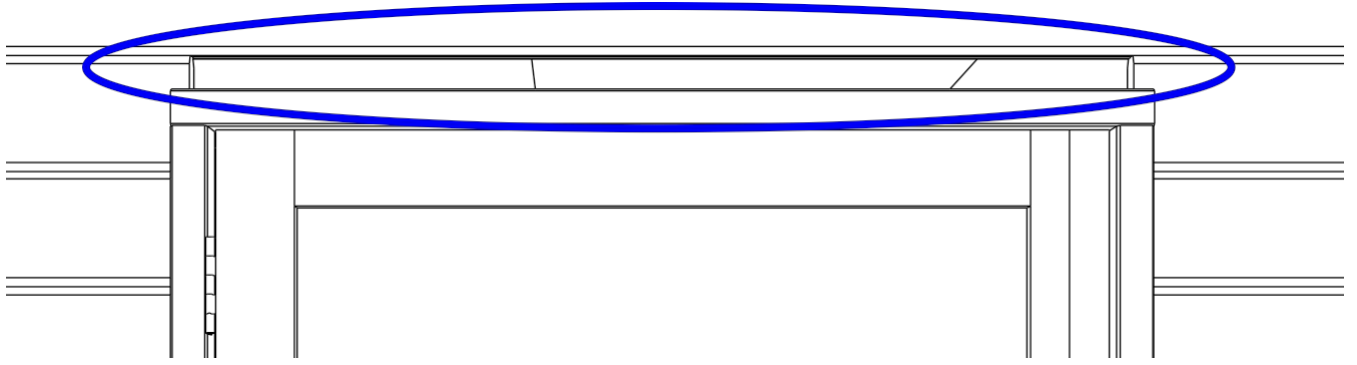
10. Now attach the foil batten S/019/040 to the rear of the log cabin.



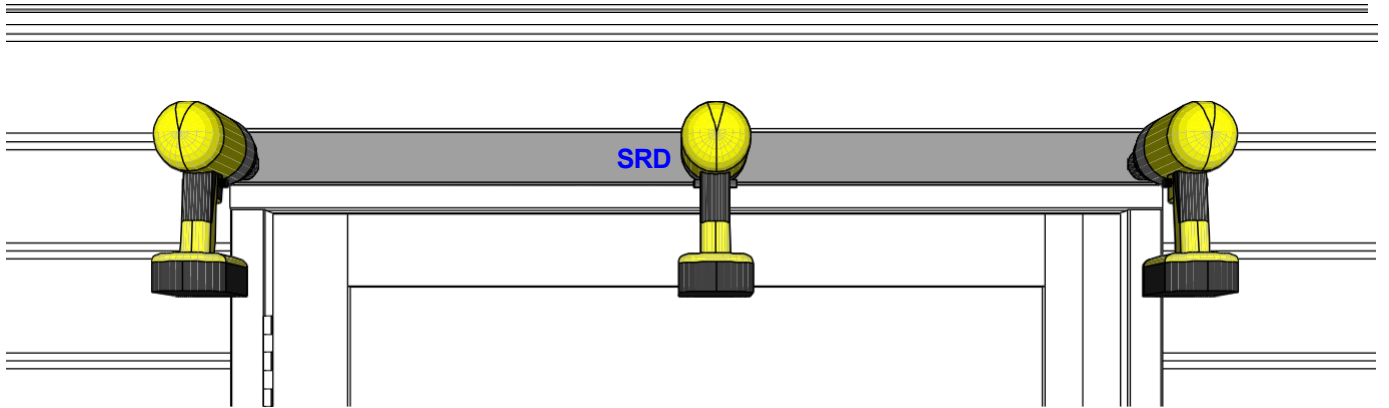
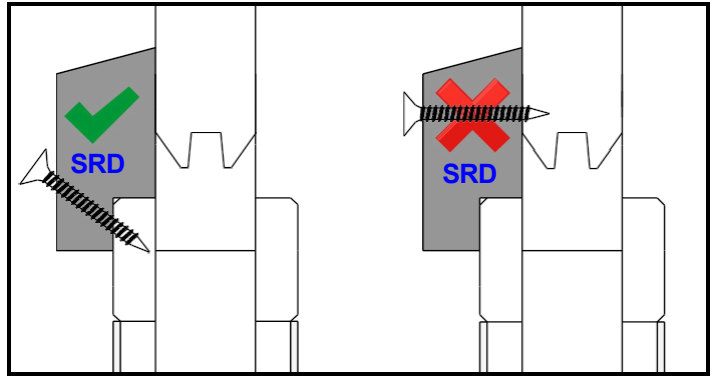
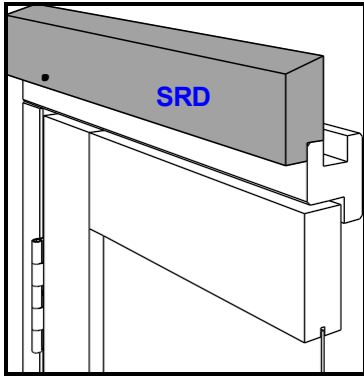
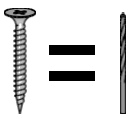
11. Now install the door(s). Position the bottom and top hinge(s) 15 cm from the top or bottom edge. The third hinge should be positioned in the centre. Please refer to the instructions for the lock included in the package for assembly. If you have a double door, mount the latch M/1620 to the left door using three screws.



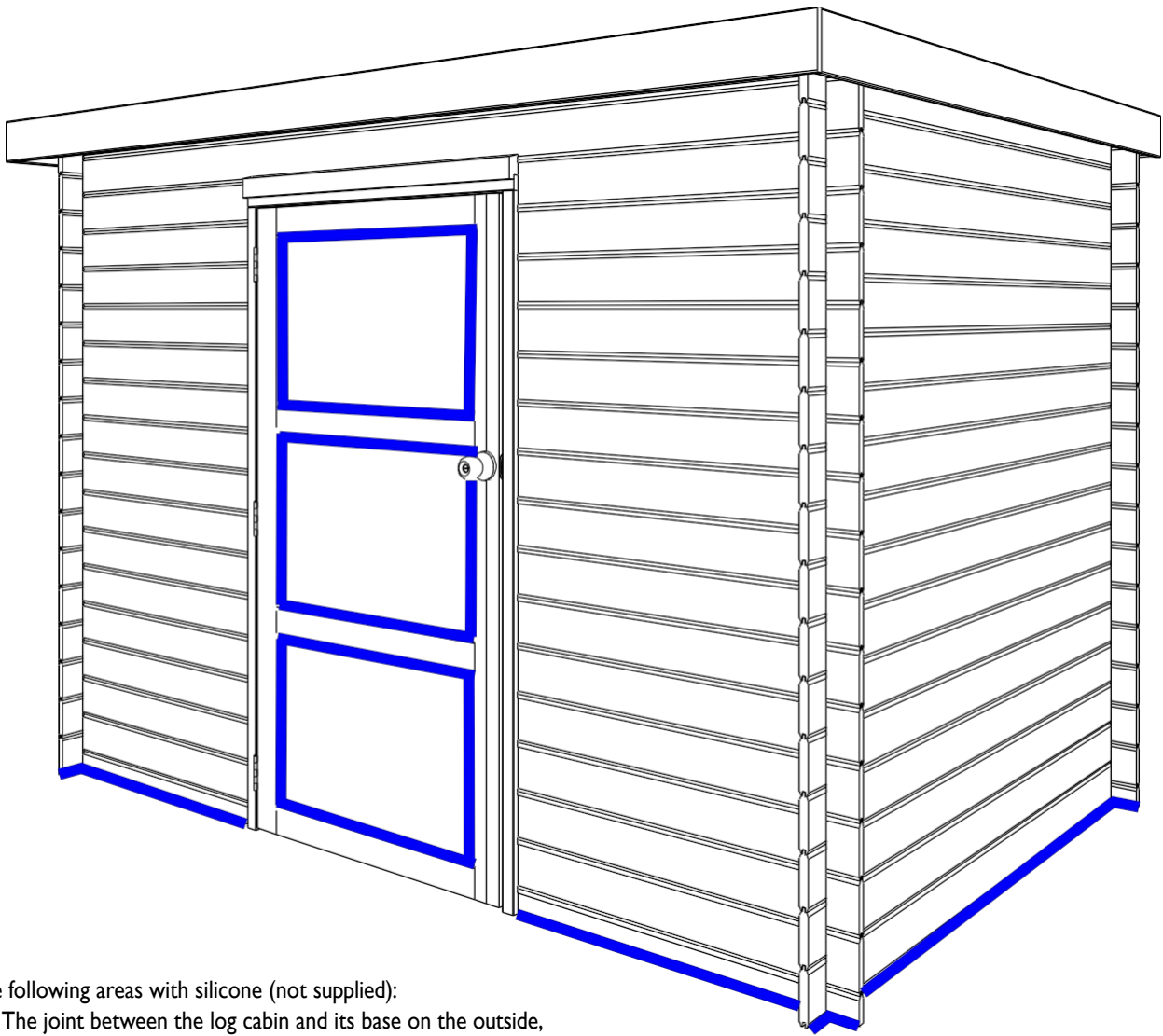
12.



35 mm



13.



Seal the following areas with silicone (not supplied):

- The joint between the log cabin and its base on the outside,
- All around the glass.



To make your log cabin storm-resistant, you will need to install storm bracing. This connects the roof and walls to the base., So make sure it is properly secured to the ground. Always ensure that you do not obstruct vertical shrinkage and expansion (see 'Wood lives'). Gardenas dealers sell our standard storm bracing. An alternative is to attach a screw to both the top and bottom logs and stretch a nylon cord between them. In any case, you must ensure that the force of the storm bracing does not cause the wall to bulge.

If this were to happen, you must adjust the bracing.

Maintenance: water, wind, snow and sun are the main enemies of your log cabin. Ask a specialist for advice if you have any questions about products, timing, etc. for treatment.

Product liability applies only if the log cabin has been assembled in full compliance with these assembly instructions.

WARRANTY

The product is made of wood, a natural product that, due to its outdoor placement, will continue to "live" and therefore requires ongoing attention. Assembly, treatment and anchoring will be carried out by or on behalf of the customer. Gardenas is therefore responsible for and provides a warranty on the product and its components themselves, but not for the consequences of incorrect assembly, missing or inadequate anchoring, or incorrect or inadequate maintenance.

How long?

Unless otherwise stated, Gardenas offers a 5-year warranty on its products. Fittings and roofing are covered by a 2-year warranty. Products sold as pressure-impregnated are covered by an extended 10-year warranty against rot, mould and insect damage to the wooden parts.

The warranty period starts from the date of purchase.

What is covered by the warranty?

- The structural design of the product for safe and normal use.
- The correctness of the parts in terms of quantity and shape upon delivery. Any deviations must be reported no later than 14 days after delivery.
- The warranty is limited to the replacement of defective, damaged or unusable parts.

What is not covered by the warranty?

- Costs of (re)installation, production, assembly, treatment.
- Parts that are no longer in their original condition.
- Defective parts that were installed anyway.
- Minor deviations from the natural material, whether or not specified in the manual, which do not compromise the stability and expected lifespan of the product (e.g. knots, cracks, discolouration, slight deformations that can be assembled and will have no impact after assembly or will be invisible after assembly, etc.).
- Damage, deformations or defects resulting from ignoring to strictly follow the advice and instructions in the product manual and/or incorrect or careless use of the product, as well as damage caused by poor foundations.
- Damage and degradation and their consequences due to inadequate treatment of the product.
- Damage caused during transport and storage, whether or not due to extreme humidity, if transport and storage were not carried out under Gardenas' management.
- Damage caused by third parties, animals, insects (except if the product was delivered pressure-impregnated) and termites.
- Natural ageing or discolouration of the product.
- Damage caused by a roof load (e.g. snow) of more than 50 kg/m².
- Direct or indirect damage to items and materials stored in or under the product.
- Consequences of force majeure: storms, natural disasters, floods, vandalism, etc.

Parts availability and delivery

Gardenas guarantees the availability of all parts or a valid alternative for each part for up to 5 years after purchase of the product, regardless of whether the part is still under warranty or not.

Gardenas will make every effort to provide any replacement parts as quickly as reasonably possible. Gardenas will deliver the parts in the same manner and to the same location as it delivered the original product.